



RAZORX CRUISER™ ELECTRIC SKATEBOARD



⚠ NOTE: The product must be moving at least 3 mph (5 km/h) before motor will engage. Kick start product, with lever on remote in the "Go" position to engage motor.

OWNER'S MANUAL

**Read and understand this entire manual before allowing child to use this product! For assistance contact Razor.
DO NOT RETURN TO STORE.**

NOTE: Manual illustrations are for demonstration purposes only. Illustrations may not reflect exact appearance of actual product. Specifications subject to change without notice.

Please have your product along with the 19 character product I.D. code with you before contacting Razor for warranty assistance and/or replacement parts.

Product I.D. Code: _____ - _____ - _____

CONTENTS

Safety Warnings	1-2	Usage	7
Before You Begin.....	3	Repair and Maintenance.....	8-11
Assembly and Set-Up.....	4-5	Troubleshooting Guide.....	12
Charging the Battery.....	6	RazorX Cruiser Electric Skateboard Parts.....	13
Pre-Ride Checklist.....	6	Warranty and Contact Information.....	15

SAFETY WARNINGS

⚠ WARNING: Riding a RazorX Cruiser Electric Skateboard does present potential risks and caution is required. Like any riding product, a RazorX Cruiser Electric Skateboard has inherent hazards associated with its use (for example, falling off or riding it into a hazardous situation). Like any riding product, RazorX Cruiser Electric Skateboards can and are intended to move and it is therefore, of course, possible to lose control or otherwise get into dangerous situations. Both children, and adults responsible for supervising them, must recognize that if such things occur, a rider can be seriously injured or die even when using safety equipment and other precautions. **RIDE AT YOUR OWN RISK AND USE COMMON SENSE.**

⚠ WARNING: PARENTAL AND ADULT RESPONSIBILITY AND SUPERVISION IS NECESSARY: Because products, like RazorX Cruiser Electric Skateboard, can and do present potential hazards plainly associated with their use, it is well recognized THE NEED FOR EXERCISE OF PARENTAL RESPONSIBILITY IN SELECTING RIDING PRODUCTS APPROPRIATE TO THE AGE OF A CHILD, OR PARENTAL SUPERVISION IN SITUATIONS IN WHICH CHILDREN OF VARIOUS AGES MAY HAVE ACCESS TO THE SAME RIDING PRODUCTS, IS IMPORTANT. Not every product is appropriate for every age or size of child, and different age recommendations are found within this category of product which are intended to reflect the nature of the hazards and the expected mental or physical ability, or both, of a child to cope with the hazards.

⚠ WARNING: NOT FOR RIDERS UNDER AGE 9 OR HEAVIER THAN 220 LB (100 KG). DO NOT EXCEED THE WEIGHT LIMIT OF 220 lb (100 kg) – including backpacks and other items that might be carried. Exceeding the weight limit could injure the rider and damage the RazorX Cruiser Electric Skateboard. Rider weight alone also does not necessarily mean a person's size is appropriate to fit or maintain control of the RazorX Cruiser Electric Skateboard. Keep this product away from small children and remember that this product is intended for use only by persons who are, at a minimum, completely comfortable and competent while operating the product.

Razor recommends that children under the age of 9 not be permitted to use this product. This recommendation is based not just on age or weight or height; it reflects consideration of expected maturity and skills as well as physical size. The recommended rider age of 9 years or older is only an estimate and can be affected by the rider's size, weight, or skills – not every rider 9 years old or older will be suited to the product. Certainly, any rider unable to fit comfortably on the RazorX Cruiser Electric Skateboard should not attempt to ride it, but a **parent's decision to allow his or her child to ride this product should be based on the child's maturity, skill, and ability to follow rules. Razor emphasizes that adults are strongly advised not to disregard Razor's recommendations or permit younger children to ride the RazorX Cruiser Electric Skateboard.**

Keep this product away from small children and remember that it is intended for use only by persons who are, at a minimum, completely comfortable and competent while operating.

Persons with any mental or physical conditions that may make them susceptible to injury, impair their physical dexterity or mental capabilities to recognize, understand, and follow safety instructions and to be able to understand the hazards inherent in the use of any ride-on product, should not use or be permitted to use products inappropriate for their abilities. Persons with heart conditions, head, back or neck ailments (or prior surgeries to these areas of the body), or pregnant women, should be cautioned not to operate such products.

DO NOT EXCEED THE WEIGHT LIMIT OF 220 lb (100 kg). Rider weight does not necessarily mean a person's size is appropriate to fit or maintain control of the RazorX Cruiser Electric Skateboard.

CHECK AND MAINTAIN PRODUCT CONDITIONS

Before use, check to confirm that covers and guards are in place and in serviceable condition. Check that the wheels are free of flat spots from wear. The product should be maintained and repaired in accordance with the manufacturer's specifications, using only the manufacturer's authorized replacement parts, and should not be modified from the manufacturer's original design and configuration.

ACCEPTABLE RIDING PRACTICES AND CONDITIONS

Always check and obey any local laws or regulations which may affect the locations where the RazorX Cruiser Electric Skateboard may be used. Keep safely away from cars and motor vehicle traffic at all times. Only use where allowed and with caution.

Do not activate the remote unless you are on the RazorX Cruiser Electric Skateboard and in a safe, outdoor environment suitable for riding. **The RazorX Cruiser Electric Skateboard must be moving at least 3 mph (5 km/h) with the lever on the remote in the "Go" position before the motor will engage.** To push/kick start the RazorX Cruiser Electric Skateboard before engaging motor, it is recommended that the rider place forward foot on front of deck and push start using rear foot (see page 7).

The normal powered top speed of this product will be approximately 10 mph (16 km/h), which can be affected by conditions, such as rider weight, inclines and battery charge level. Avoid excessive speeds that can be associated with downhill rides.

Ride defensively. Watch out for potential obstacles that could catch your wheel or force you to swerve suddenly or lose control. Be careful to avoid pedestrians, skaters, skateboards, scooters, bikes, children or animals who may enter your path, and respect the rights and property of others.

The RazorX Cruiser Electric Skateboard is intended for use on flat, dry surfaces, such as pavement or level ground, without loose debris, such as sand, leaves, rocks or gravel. Wet, slick, bumpy, uneven or rough surfaces may impair traction and contribute to possible accidents. Do not ride your product in mud, ice, puddles or water. Watch out for potential obstacles that could catch your wheel or force you to swerve suddenly or lose control. Avoid sharp bumps, drainage grates, and sudden surface changes.

Do not attempt or do stunts or tricks. The RazorX Cruiser Electric Skateboard is not made to withstand abuse from misuse, such as jumping, curb grinding or any other type of stunts. Racing, stunt riding, or other maneuvers also enhance risk of loss of control, or may cause uncontrolled rider actions or reactions.

Never allow more than one person at a time to ride the product.

Do not ride at night or when visibility is limited.

Never use near steps or swimming pools.

Do not allow hands, feet, hair, body parts, clothing, or similar articles to come in contact with moving parts or wheels while the motor is engaged.

Do not touch electric motor when in use or immediately after riding.

Never use headphones or a cell phone to talk or text when riding.

Never hitch a ride with a vehicle.

SAFETY WARNINGS

Do not ride your product in wet or icy weather and never immerse in water, as the electrical and drive components could be damaged by water or create other possibly unsafe conditions. Never risk damaging surfaces, such as carpet or flooring, by use of a RazorX Cruiser Electric Skateboard indoors.

PROPER RIDING ATTIRE

Always wear proper protective equipment, such as an approved safety helmet (with chin strap securely buckled), elbow pads, kneepads and wrist guards. A helmet may be legally required by local law or regulation in your area. A long-sleeved shirt, long pants, and gloves are recommended. Always wear athletic shoes (lace-up shoes with rubber soles) and keep shoelaces tied and out of the way of the wheels and motor. Never ride barefooted or in sandals.

USING THE CHARGER

The charger supplied with the product should be regularly examined for damage to the cord, plug, enclosure and other parts. In the event of such damage, the product must not be charged until the charger has been repaired or replaced.

Use only with the recommended charger.

Use caution when charging.

The charger is not a toy. Charger should be operated by an adult.

Do not operate charger near flammable materials.

Unplug charger and disconnect from product when not in use.

Always disconnect from the charger prior to wiping down and cleaning your product with damp cloth.

FAILURE TO USE COMMON SENSE AND HEED THE ABOVE WARNINGS FURTHER INCREASES RISK OF SERIOUS INJURY. USE AT YOUR OWN RISK AND WITH APPROPRIATE AND SERIOUS ATTENTION TO SAFE OPERATION. USE CAUTION.

BEFORE YOU BEGIN

Remove contents from box. Remove the separators that protect the components from damage during shipping. Inspect the contents of the box for scratches, or dents that may have occurred during shipping. Because the RazorX Cruiser Electric Skateboard was 99% assembled and packed at the factory, there should not be any problems, even if the box has a few scars or dents.

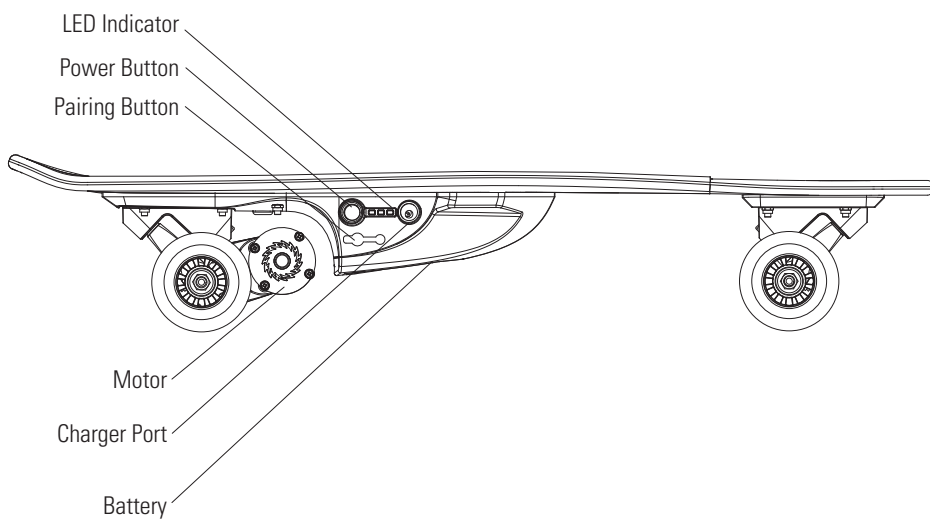
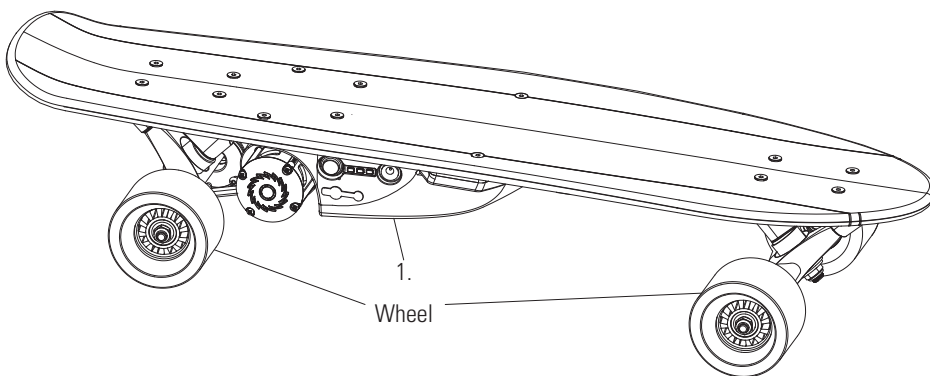
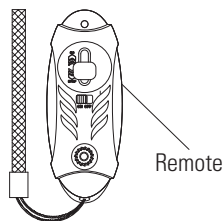
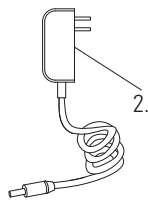
MAKE SURE POWER SWITCH IS TURNED "OFF" BEFORE CONDUCTING ANY ASSEMBLY OR MAINTENANCE PROCEDURES.

Estimated Assembly and Set-Up Time

Allow up to 5 minutes for assembly, not including initial charge time.

Allow up to 8 hours for charge (see page 6 for charging information).

Charger
(Note: Charger design may vary from one shown)



WARNING:

DO NOT USE NON-RAZOR PRODUCTS WITH YOUR RAZORX CRUISER ELECTRIC SKATEBOARD. The RazorX Cruiser Electric Skateboard has been built to certain Razor design specifications. The original equipment supplied at the time of sale was selected on the basis of its compatibility with the frame and all other parts. Certain aftermarket products may not be compatible and will void the warranty.

Note: RazorX Cruiser Electric Skateboard must be moving at least 3 mph (5 km/h) while holding the lever on the remote in the "GO" position for motor to engage.

Product ID Locations:

(See locations to the left)

1. Underneath Product
2. Charger
3. UPC Side of Box (Not Shown)

Box Contents:

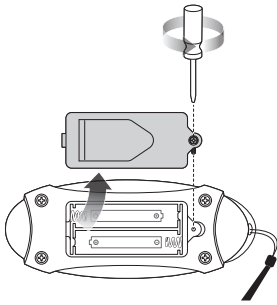
- RazorX Cruiser Electric Skateboard
- Remote
- Two (2) AAA Batteries
- Charger
- Owner's Manual

Need Help? Visit our web site for replacement parts, product support, a list of authorized service centers in the US and customer service contact information at www.razor.com. Please have the product I.D. code (located on the white label of your product) available for better assistance. Additional Customer Service contact information is listed at the back of this manual.

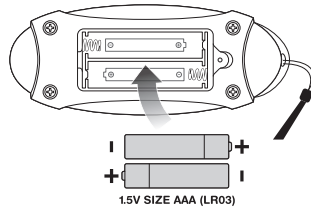
ASSEMBLY AND SET-UP

❑ Installing Remote Batteries

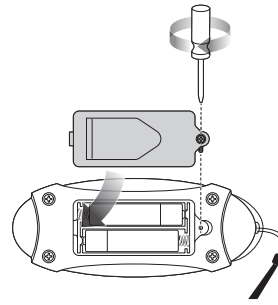
Tool Required: Phillips screwdriver



1 Loosen Phillips screw on battery cover and remove cover.



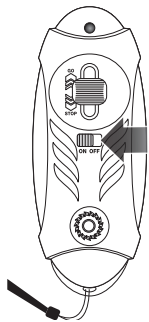
2 Install two (2) AAA batteries.



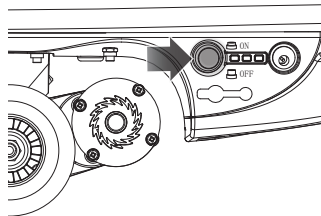
3 Re-attach battery cover and securely tighten in place with screw.

❑ Remote Pairing Confirmation

Note: Your remote should have been paired with your RazorX Cruiser Electric Skateboard at the factory.

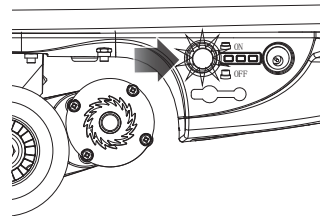


1 Turn the power switch on the remote to the **ON** position.



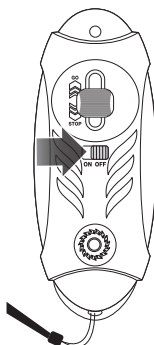
2 Press power button on the product to the **ON** position.

If the power button on the product is **solid** red, then the product has been successfully paired at the factory and no further steps are needed.

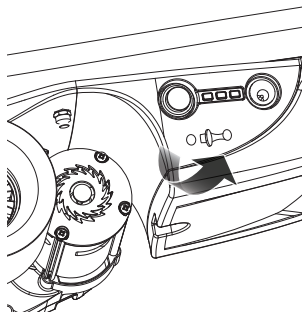


3 If power button on product is **flashing**, leave power button on the product in the **ON** position. See Pairing the Remote section below for pairing instructions.

❑ Pairing the Remote



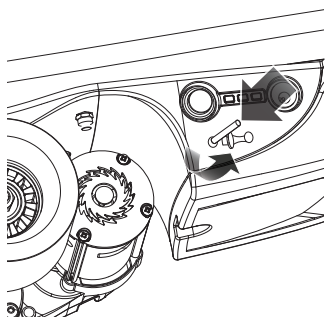
1 Turn the power switch on the remote to the **OFF** position.



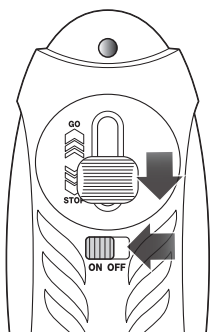
2 Open the pairing button cover located underneath the power button.

ASSEMBLY AND SET-UP

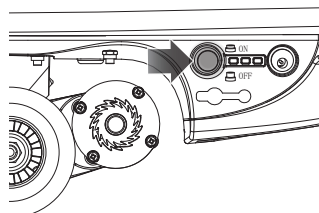
▣ Pairing the Remote – Cont'd



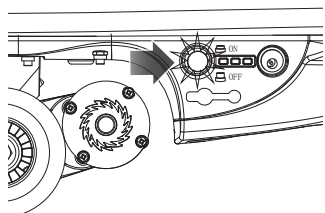
3 Using a small object, **gently** tap the center of the pairing button. The light on the power button should now be flashing quickly.



4 Move the lever on the remote to the **"STOP"** position and **HOLD**. **Do not let go of the lever.** Turn the power switch on the remote to the **ON** position.



5 If the light on the power button on the product is solid red, your remote has been successfully paired.



6 If the light on the product continues to flash quickly, turn power switch on the remote to the **OFF** position and repeat steps 3-4 until remote is paired.

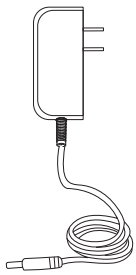
Note: Contact Customer Service if you experience any issues with pairing the remote.

Need Help? Visit our web site for replacement parts, product support, a list of authorized service centers in the US and customer service contact information at www.razor.com. Please have the product I.D. code (located on the white label of your product) available for better assistance. Additional Customer Service contact information is listed at the back of this manual.

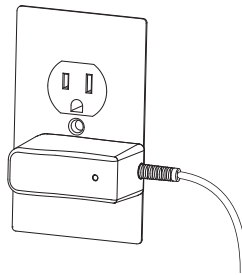
CHARGING THE BATTERY

Your RazorX Cruiser Electric Skateboard may not have a fully charged battery; therefore you must charge the battery prior to use. Be sure to charge the battery in a clean, dry location away from direct sunlight, flames or sparks.

- Initial charge time: 8 hours.
- Recharge time: up to 6 hours, even if the light turns green. Recommended maximum charging time is 24 hours.
- Always charge the battery immediately after riding.
- Fully charge battery before storing for extended periods of time.
- Unplug charger from the wall outlet when not in use.
- Failure to recharge battery periodically may result in a battery that will not accept a charge.
- Make sure the power button is turned **OFF** when product is not in use. If the power button is left on for an extended period of time, the battery may reach a stage at which it will no longer hold a charge.
- Run time: Up to 40 minutes of continuous ride time. Run time may vary depending on riding conditions, rider weight, climate, and/or proper maintenance.
- Constant starting and stopping may shorten ride time.
- Battery life can vary depending on proper maintenance and usage of the product.
- Do not charge at or below 32°F (0°C).

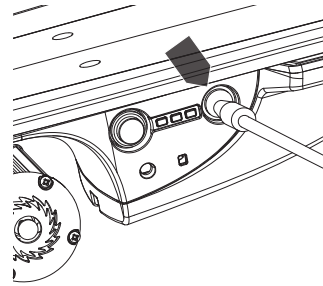


Charger
(Note: Charger design may vary from one shown)



1 Plug the charger plug into wall outlet. The light on the charger should be green.

Note: If green light (LED) does not turn on, try a different outlet.



2 Note: Make sure power button is in the **OFF** position. Plug the charger into the charger port. The light on the charger should turn red during charging. The light will turn green again when charging is complete.

⚠ WARNING: Use **ONLY** with the recommended charger. Batteries are only to be charged under adult supervision. The charger is not a toy. Always disconnect the charger before wiping down and/or cleaning the RazorX Cruiser Electric Skateboard with a damp cloth.

The charger supplied with the RazorX Cruiser Electric Skateboard should be regularly examined for damage to the cord, plug, enclosure and other parts. In the event of such damage, the RazorX Cruiser Electric Skateboard must not be charged until it has been repaired or replaced.

Chargers have built-in overcharge protection to prevent battery from being overcharged.

Wall outlet - Green (stand by)

Wall outlet and product - Red (charging)

Wall outlet and product - Green (charged)

Note: Continue charging product even if light turns green prior to 6 hours.

⚠ WARNING: Battery charge can deplete over time. Periodically recharge battery when not in use.

PRE-RIDE CHECKLIST



Wheels

Periodically inspect the wheels for excessive wear.



Deck

Check for cracks or broken connections. Although broken decks are rare, it is possible for an aggressive rider to run into a curb or object and wreck, crack or break a deck. Get in the habit of inspecting your product on a regular basis.



Hardware/Loose Parts

Before every ride, check all parts, such as nuts, bolts, fasteners, etc., to ensure they are secure and assembled correctly. There should not be any unusual rattles or sounds from loose parts or broken components. If the product is damaged, do not ride.

Reference "Safety Warnings" on pages 1 and 2 of this manual.



Safety Gear

Always wear proper protective gear, such as an approved safety helmet. Elbow pads, kneepads and wrist guards are recommended. Always wear athletic shoes (lace-up shoes with rubber soles) and keep shoelaces tied and out of the way of the wheels, motor and drive system. **NEVER RIDE BAREFOOTED OR IN SANDALS.**



Laws and Regulations

Always check and obey any local laws or regulations.



Insurance

Do not assume that your existing insurance policies necessarily provide coverage for product use. Check with your insurance company for information regarding insurance.

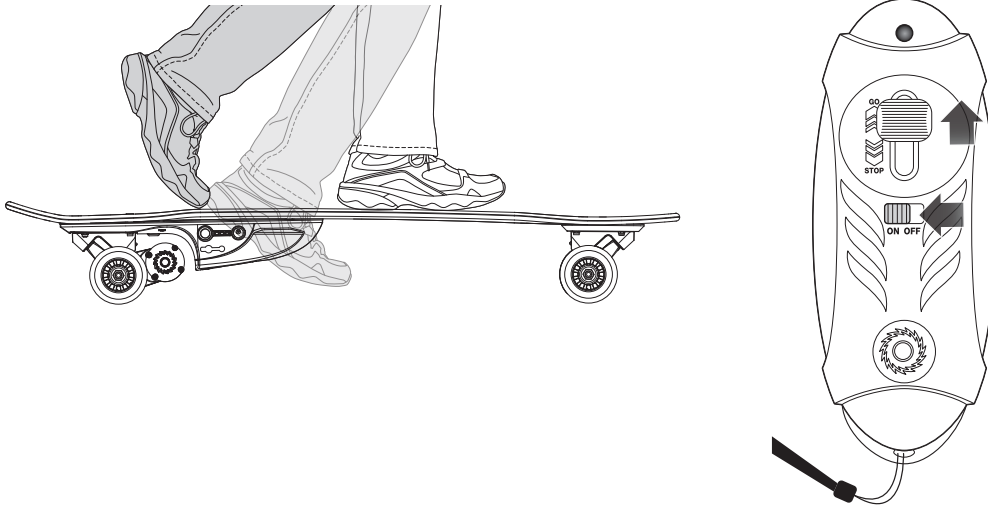
USAGE

□ How to Ride

Do not activate the remote unless you are on the RazorX Cruiser Electric Skateboard and in a safe, outdoor environment suitable for riding.

Turn power button to the "ON" position for both the RazorX Cruiser Electric Skateboard and the remote.

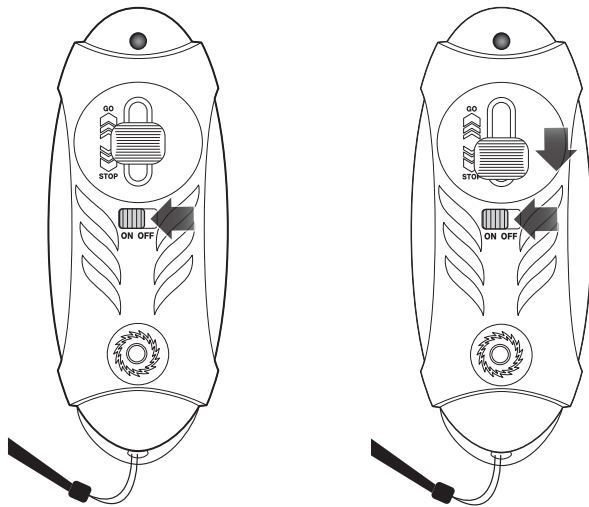
Place one foot on the front of deck and with the other foot, push (kick start) RazorX Cruiser Electric Skateboard **while** holding the lever on the remote in the "GO" position. Place other foot on rear of deck once motor has engaged.



Note: RazorX Cruiser Electric Skateboard must be moving at least 3 mph (5 km/h), with lever on remote in GO position, for motor to engage.

□ How to Stop

The RazorX Cruiser Electric Skateboard, like RipStiks or skateboards does not have a conventional "brake", however the RazorX Cruiser Electric Skateboard can coast to a stop or can use "dynamic motor braking" to slow more quickly.



1 While riding, release the remote lever and it will return to the "NEUTRAL" position. The product will slow to a stop with motor resistance.

2 To slow more rapidly to a stop, move the remote lever down to the "STOP" position and hold. This will engage dynamic motor braking and the product will slow down more quickly.

Note: As an additional safety feature, the RazorX Cruiser Electric Skateboard is designed to cut power to the motor when the lever on the remote is in the "STOP" or neutral position.

Note: Motor will re-engage, (without having to kick start), if the remote is in the "GO" position **before** RazorX Cruiser Electric Skateboard has slowed down to **under 3 mph (5 km/h)**.

Note: Practice riding only in wide open areas clear from curbs, parking blocks and other obstacles. Impacting the wheels against any hard surface can damage the wheels. Wheels are not covered under the limited warranty.

Note: Stepping off the product also works to stop. Releasing the remote lever will cut power to the motor.

Need Help? Visit our web site for replacement parts, product support, a list of authorized service centers in the US and customer service contact information at www.razor.com. Please have the product I.D. code (located on the white label of your product) available for better assistance. Additional Customer Service contact information is listed at the back of this manual.

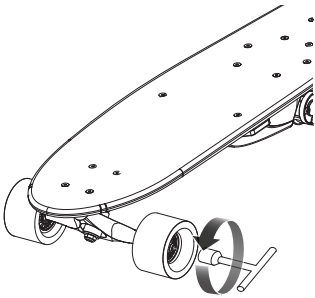
REPAIR AND MAINTENANCE

Before beginning repair or maintenance:

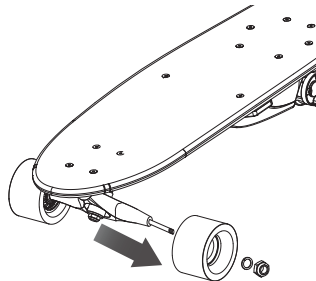
- Read the instructions
- Disconnect charger
- Turn the power button OFF
- Exercise caution around exposed parts
- Contact Razor Customer Service if unsure about any repair or maintenance

□ Front Wheel Replacement

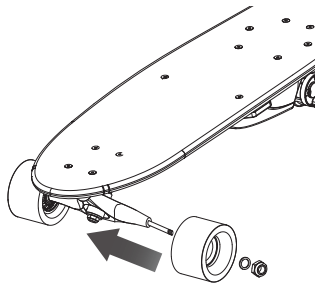
Tools Required: 13mm socket wrench



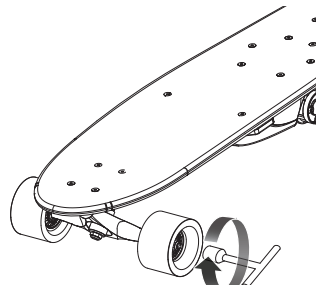
1 Using the 13 mm socket loosen the locknut.



2 Remove the locknut, washer and wheel.



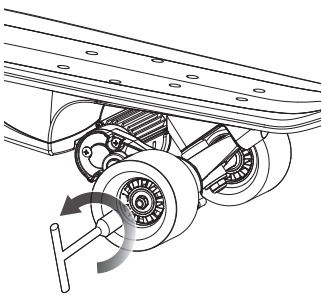
3 Insert replacement wheel, washer and locknut.



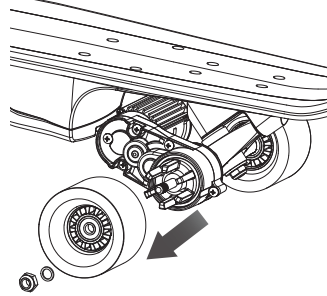
4 Tighten the locknut.

□ Rear Wheel Replacement

Tools Required: 13mm socket wrench

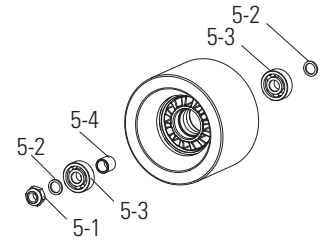


1 Using the 13 mm socket, loosen the locknut.



2 Remove the locknut, washer and wheel.

Note: Make sure to align the holes on the replacement wheel with the splines on the motor gear.



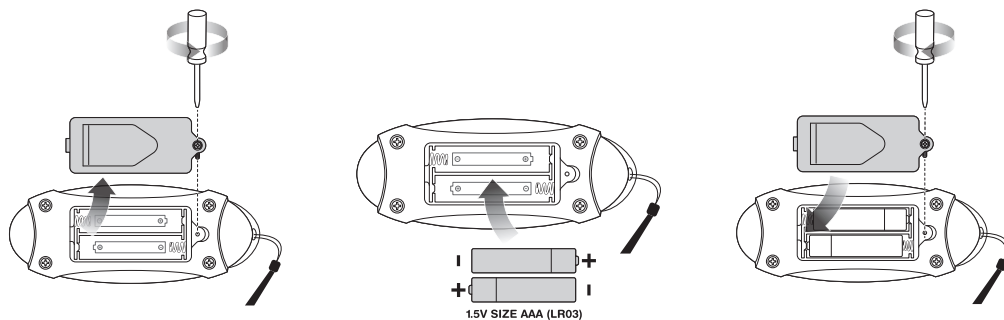
Wheel

- 5-1 Lock Nut
- 5-2 Washer (x2)
- 5-3 Bearing (x2)
- 5-4 Spacer

REPAIR AND MAINTENANCE

Remote Battery Replacement

Tool Required: Phillips Screwdriver



1 Loosen Phillips screw on battery cover and remove cover. Remove old batteries and properly dispose.

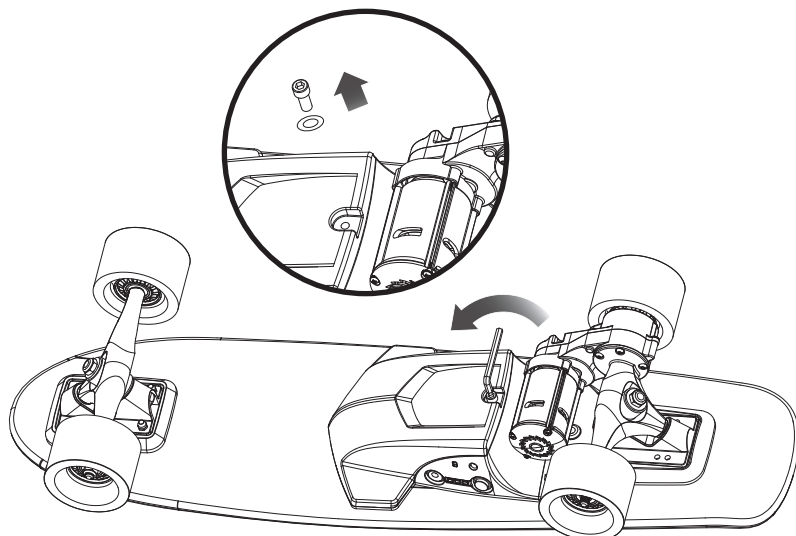
2 Install two (2) AAA replacement batteries.

3 Re-attach battery cover and securely tighten in place with screw.

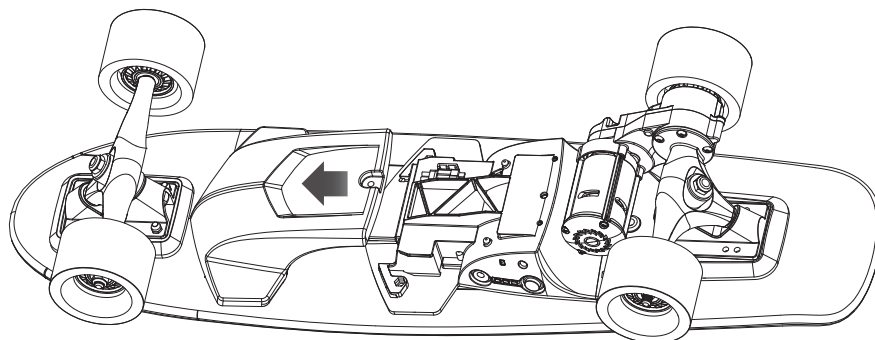
Note: AAA batteries are not covered under the limited warranty.

Product Battery Replacement

Tool Required: 4mm Allen Wrench



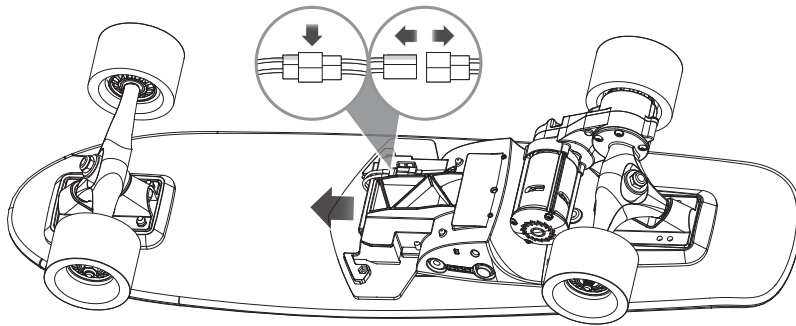
1 Carefully turn product over. Loosen and remove the bolt and lock washer from battery cover.



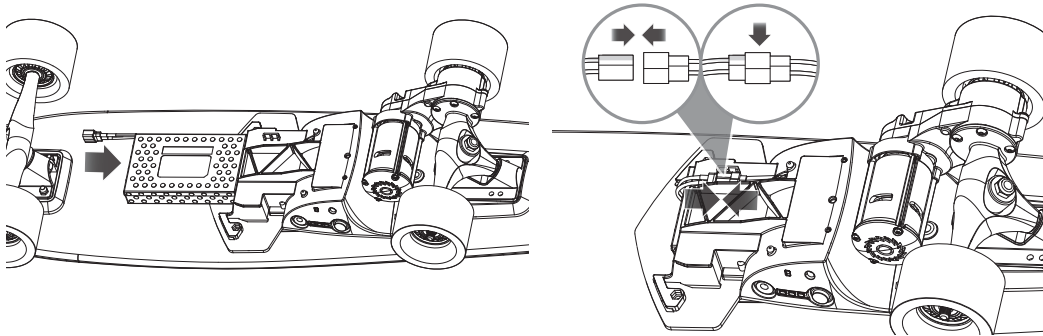
2 Slide to remove the battery cover.

Need Help? Visit our web site for replacement parts, product support, a list of authorized service centers in the US and customer service contact information at www.razor.com. Please have the product I.D. code (located on the white label of your product) available for better assistance. Additional Customer Service contact information is listed at the back of this manual.

REPAIR AND MAINTENANCE

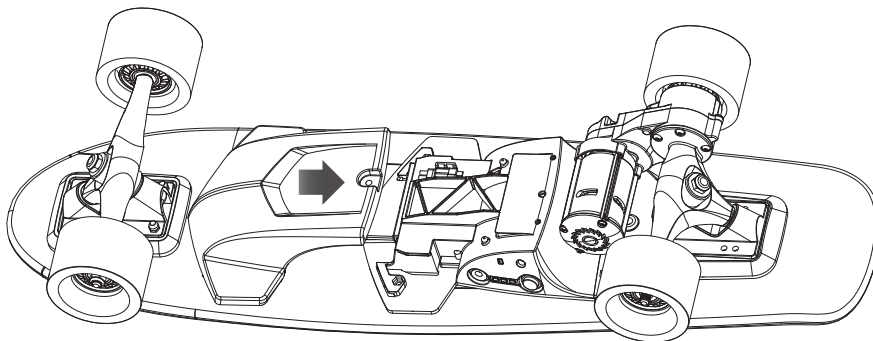


3 Disconnect the battery connector from the control module and carefully remove battery.

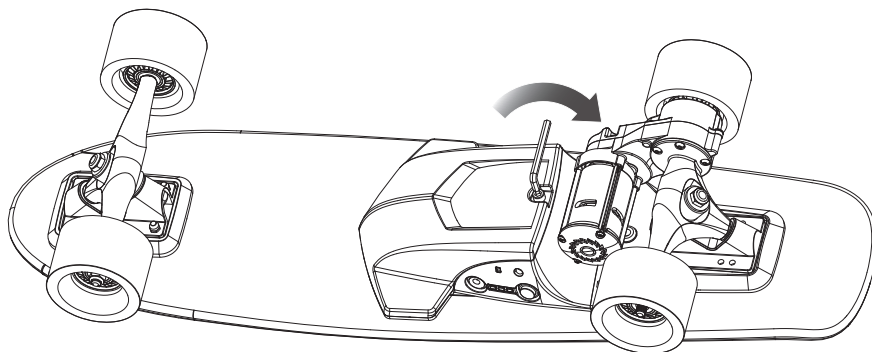


4 Install replacement battery.

5 Re-connect the battery connector to the control module.



6 Re-attach battery cover.



7 Securely tighten in place with bolt and lock washer.

⚠ WARNING:

- Contains a lithium-ion battery pack - adult attention for changing and disposal.
- Battery pack should only be replaced by an adult.
- Dispose of batteries properly. See Page 11 – Battery Care and Disposal.
- Battery pack should not be disassembled, crushed, punctured, opened or otherwise mutilated.

REPAIR AND MAINTENANCE

❑ Battery Care and Disposal

- Do not store in freezing or below freezing temperatures. To properly maintain your battery and ensure maximum battery life, carefully read the "Charging the Battery" section on page 6 of this owner's manual.
- Battery pack should not be disassembled, crushed, punctured, opened or otherwise mutilated.



CONTAINS LITHIUM-ION BATTERY PACK. BATTERIES MUST BE RECYCLED.
UL 2271 COMPLIANT

Disposal: Your RazorX Cruiser Electric Skateboard uses a lithium-ion battery pack which must be recycled or disposed of in an environmentally safe manner. Do not dispose of a battery pack in a fire. The battery pack may explode or leak. Do not dispose of a battery pack in your regular household trash. The incineration, land filling or mixing of batteries with household trash is prohibited by law in most areas. Return exhausted batteries to a federal or state approved lithium-ion battery recycler.

❑ Charger

The charger supplied with the RazorX Cruiser Electric Skateboard should be regularly examined for damage to the cord, plug, enclosure and other parts and in the event of such damage, the product must not be charged until it has been repaired or replaced.

Use **ONLY** with the recommended charger.

❑ Wheels

Wheels and drive system are subject to normal wear and tear. It is the responsibility of the user to periodically inspect wheels for excess wear and replace hub motor as required.

❑ Replacement Parts

The most frequently requested replacement parts are available for purchase at some Razor retail partners. For the complete selection of replacement parts visit shop.razor.com.

❑ Repair Centers

For a list of authorized Razor repair centers:

- Check online at www.razor.com.
- Additional Customer Service contact information is listed on the back of this manual.

⚠ WARNING: If a battery leak develops, avoid contact with the leaking solution and place the damaged battery in a plastic bag. Refer to the disposal instructions at left. If solution comes into contact with skin, wash with soap and water immediately, neutralize with lemon juice, vinegar or other mild acid, and contact a physician. If solution comes in contact with eyes, flush immediately with water and contact a physician.

Recycling Lithium-ion Batteries:

Lithium-ion batteries are recyclable. You can help preserve our environment by returning your used rechargeable batteries to the collection and recycling location nearest you.

For more information regarding recycling of rechargeable batteries, call toll free 1-800-822-8837, or visit <http://www.call2recycle.org>

Caution: Do not handle damaged or leaking lithium-ion batteries.

Need Help? Visit our web site for replacement parts, product support, a list of authorized service centers in the US and customer service contact information at www.razor.com. Please have the product I.D. code (located on the white label of your product) available for better assistance. Additional Customer Service contact information is listed at the back of this manual.

TROUBLESHOOTING GUIDE

*Product(s) should be turned **OFF** and fully charged prior to doing any Troubleshooting.

NOTE: All troubleshooting steps should be performed by an adult only.

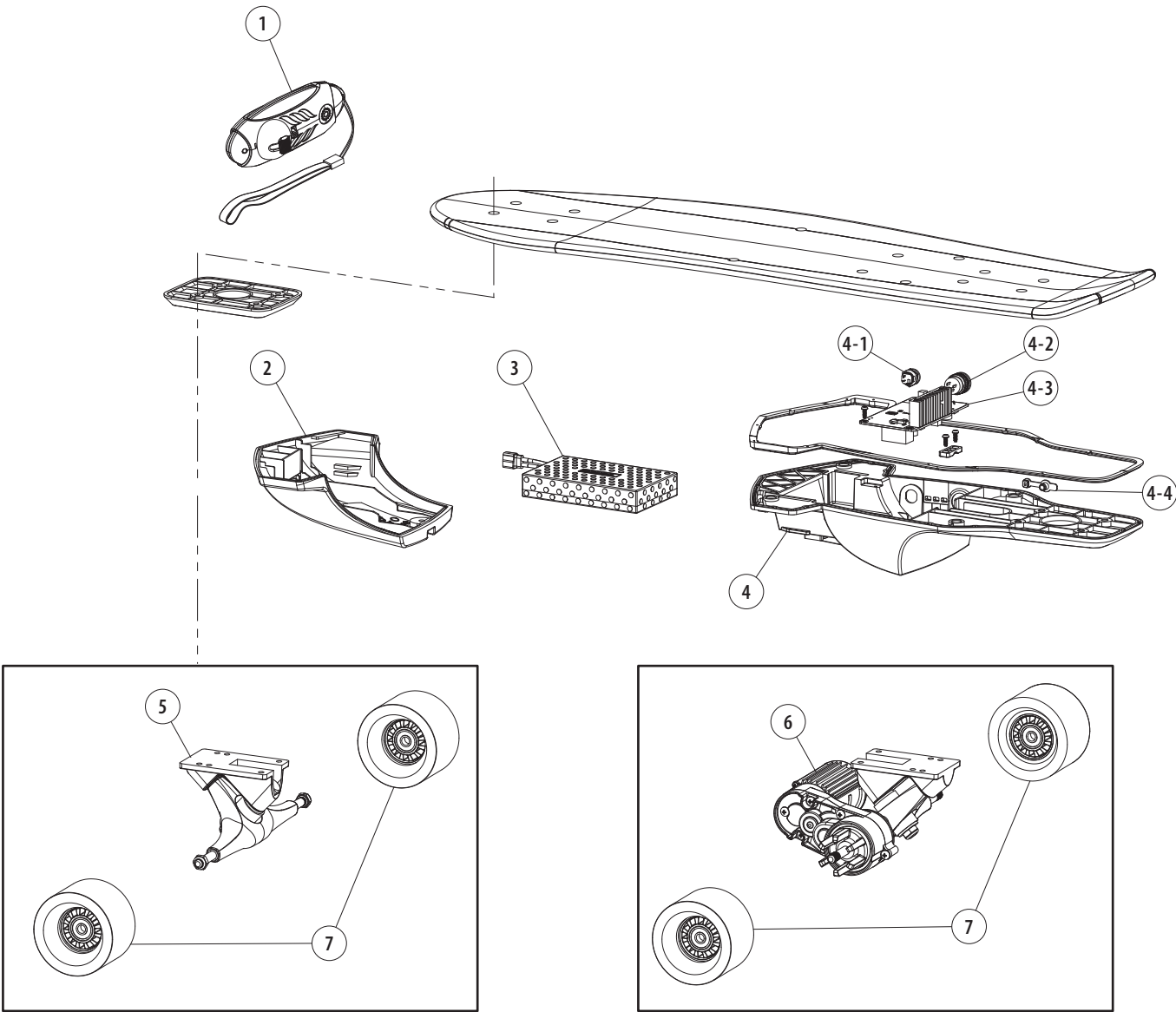
Problem	Possible Cause	Solution
Does not work out of the box	Product must be traveling at least 3 mph (5 km/h) before motor will engage	Kick start to at least 3 mph (5 km/h) while the lever on the remote is in the "GO" position to engage motor.
	Product not paired with remote	Refer to page 4-5 for pairing information.
No longer works	No lights on charger	Check power to wall outlet and/or try a different outlet.
	Undercharged battery	Check lights on charger: Plugged into wall - Green Plugged into wall & unit - Red (charging) Plugged into wall & unit - Green (charging complete) No lights/Blinking lights - Replace Charger
	Battery will not hold a charge	Turn product over. Turn the power switch on the remote and product to the ON position. Move the lever on the remote to the GO position and hold. Manually (use caution) spin the rear wheel forward. If motor engages - replace battery.
	Remote	Replace batteries.
Short run time/runs slow	Rider's weight	Do not exceed 220 lb (100 kg) maximum weight limit.
	Riding conditions	Use only on flat, dry surfaces. Avoid inclines and areas with heavy debris.
	Battery not fully charged	Charge product - refer to page 6 for charging information.
	Old/damaged battery	Replace battery. Charge battery at least once a month when not in use.

For more troubleshooting tips, a list of available replacement parts or to locate an authorized Service Center in your area, visit our website at www.razor.com or call toll free +1 866-467-2967 to speak to a live Customer Service Representative.

RAZORX CRUISER ELECTRIC SKATEBOARD PARTS

Keep your RazorX Cruiser Electric Skateboard running for years with genuine Razor parts. Visit our website or e-mail us for more information on spare part availability. (Specifications subject to change without notice.)

- | | | |
|---------------------------------|---------------------|--|
| 1. Remote | 4-1. Charging Port | 5. Front Truck |
| 2. Battery Cover | 4-2. ON/OFF Button | 6. Rear Truck with Motor and Gear Case |
| 3. Battery | 4-3. Control Module | 7. Wheels (X4) |
| 4. Control Module Case Complete | 4-4. Pairing Button | |



Need Help? Visit our web site for replacement parts, product support, a list of authorized service centers in the US and customer service contact information at www.razor.com. Please have the product I.D. code (located on the white label of your product) available for better assistance. Additional Customer Service contact information is listed at the back of this manual.

NOTICE: INSURANCE
YOUR INSURANCE POLICIES MAY NOT PROVIDE COVERAGE FOR
ACCIDENTS INVOLVING THE USE OF THIS SCOOTER/ELECTRIC
RIDE-ON PRODUCT. TO DETERMINE IF COVERAGE IS PROVIDED,
YOU SHOULD CONTACT YOUR INSURANCE COMPANY OR AGENT.

FCC COMPLIANCE

This device complies with Part 15 of the FCC Rules. Operation is subject to the following two conditions: (1) This device may not cause harmful interference, and (2) this device must accept any interference received, including interference that may cause undesired operation.

Note: This equipment has been tested and found to comply with the limits for a Class B digital device, pursuant to part 15 of the FCC Rules. These limits are designed to provide reasonable protection against harmful interference in a residential installation. This equipment generates, uses and can radiate radio frequency energy and, if not installed and used in accordance with the instructions, may cause harmful interference to radio communications. However, there is no guarantee that interference will not occur in a particular installation. If this equipment does cause harmful interference to radio or television reception, which can be determined by turning the equipment off and on, the user is encouraged to try to correct the interference by one or more of the following measures:

- Reorient or relocate the receiving antenna.
- Increase the separation between the equipment and receiver.
- Connect the equipment into an outlet on a circuit different from that to which the receiver is connected.
- Consult the dealer or an experienced radio/TV technician for help.

⚠ WARNING: Changes or modifications to this product not expressly approved by Razor USA LLC, could void the user's authority to operate the equipment.

WARRANTY

Razor Limited Warranty

The manufacturer warrants this product to be free of manufacturing defects for a period of 90 days from date of purchase. This Limited Warranty does not cover normal wear and tear, wheel, or any damage, failure or loss caused by improper assembly, maintenance, storage or use of the RazorX Cruiser Electric Skateboard.

This Limited Warranty will be void if the product is ever:

- used in a manner other than for recreation or transportation;
- modified in any way;
- rented.

The manufacturer is not liable for incidental or consequential loss or damage due directly or indirectly to the use of this product.

Razor does not offer an extended warranty. If you have purchased an extended warranty, it must be honored by the store at which it was purchased.

For your records, save your original sales receipt with this manual and write the serial number below.

CUSTOMER SERVICE CONTACT INFORMATION

Need Help? Visit our web site for replacement parts, product support, a list of authorized service centers in the US and customer service contact information at www.razor.com. Please have the product I.D. code (located on the white label of your product) available for better assistance. Additional Customer Service contact information is listed below:

AMERICAS

Razor USA LLC
P.O. Box 3610
Cerritos, CA 90703
USA

+1 866 467 2967
Monday - Friday
8:00 AM - 5:00 PM Pacific Time
customersupport@razorusa.com

EUROPE, MIDDLE EAST, AFRICA

Razor USA LLC (Europe)
Handelsweg 2
2742 RD Waddinxveen
Netherlands

+44 (0) 120 267 2702
info@razoreu.com

ASIA

Razor USA LLC (Asia)
P.O. Box 3610
Cerritos, CA 90703
USA

+81 50 7579 6622
info@razor-asia.com

DISTRIBUTED IN THE UK BY:

Re:creation Limited
2 Meadows Business Park
Station Approach, Blackwater
Camberley, Surrey GU17 9AB
United Kingdom

+44 (0) 118 973 6222 *Tel*
+44 (0) 118 973 6220 *Fax*
sales@recreationltd.co.uk

DISTRIBUTED IN AUSTRALIA BY:

Funtastic Limited
Level 2, Tower 2, Chadstone Place
1341 Dandenong Road
Chadstone VIC 3148
Australia

+1 800 244 543
info@funtastic.com.au

Printed in China for Razor USA LLC.

Copyright © 2003-2017 Razor USA, LLC. All rights reserved. Razor® and the Razor logo design are among the registered trademarks of Razor USA LLC in the United States and/or select foreign countries. RazorX Cruiser Electric Skateboard is a trademark of Razor USA LLC.